

SUMMER DAYS 2019

WHERE AUTOMATION CONNECTS

- 185+ Plug-In řešení pro Rockwell Automation



- 160+ protokolových bran



- 40+ řešení bezdrátové komunikace



SUMMER DAYS 2019

<http://www.prosoft-technology.com/>
<http://psft.com>

English | Deutsch | Espanol | Portuguese | 中文 | Français | Pycckий

ProSoft TECHNOLOGY

PRODUCTS | SERVICES & SUPPORT | NEWS & EVENTS | WHERE TO BUY | ABOUT US

PRODUCTS

Remote Access | Rockwell Automation In-chassis | Schneider Electric In-chassis | Gateways | Industrial Wireless | ProSoft Software

Gateways

Product Selector

137 Search Results

Filter by Protocol 1

Select one...

- A-B Remote I/O (12)
- ASCII Serial (9)
- BACnet (5)
- C Programmable Serial (1)
- CC-Link Local Station & Intelligent Device (2)
- DCSNet (1)
- DF1 Master/Slave (15)
- DF1 Serial Port Expander Gateway (1)
- DH-485 (4)
- DNP 3.0 Master (5)
- DNP 3.0 Slave (6)
- DNP 3.0 over Ethernet (5)
- Data Highway Plus (DH+) (1)
- DeviceNet (2)
- EtherNet/IP (46)
- GE Ethernet Global Data (2)
- GE Genius (1)
- Gareco (2)
- HART Analog (4)

Support?

English | Deutsch | Espanol | Portuguese | 中文 | Français | Pycckий

ProSoft TECHNOLOGY

PRODUCTS | SERVICES & SUPPORT | NEWS & EVENTS | WHERE TO BUY | ABOUT US

PRODUCTS

Remote Access | Rockwell Automation In-chassis | Schneider Electric In-chassis | Gateways | Industrial Wireless | ProSoft Software

Gateways

Product Selector

46 Search Results

Filter by Protocol 1

EtherNet/IP (46)

Filter by Protocol 2

Select one...

- A-B Remote I/O (2)
- ASCII Serial (2)
- BACnet (2)
- CC-Link Local Station & Intelligent Device (1)
- DCSNet (1)
- DF1 Master/Slave (2)
- DH-485 (1)
- DNP 3.0 Master (1)
- DNP 3.0 Slave (1)
- DNP 3.0 over Ethernet (1)
- Data Highway Plus (DH+) (1)
- GE Ethernet Global Data (1)
- GE Genius (1)
- Gareco (2)
- HART Analog (2)
- HART Multi-drop (1)
- IEC 61850 Client (2)
- IEC60870-5-104 Client (1)
- IEC60870-5-104 Server (1)

etherNet/IP to Texas Instrumen... AN-X-TI

EtherNet/IP to PROFIBUS DPV1 M... 5204-DFNT-PDPMV1

EtherNet/IP to PROFIBUS DP Sta... 5205-DFNT-PDPS

etherNet/IP to Modbus Master/S... 5202-DFNT-MCM4

EtherNet/IP to Modbus Master/S... 5201-DFNT-MCM

EtherNet/IP to IEC 60870-5-104... 5201-DFNT-104S

Více než 160 protokolových bran

ControlTech
Industrial Automation

SUMMER DAYS 2019



English | Deutsch | Español | Português | 中文 | Français | Русский



PRODUCTS | SERVICES & SUPPORT | NEWS & EVENTS | WHERE TO BUY | ABOUT US



PRODUCTS

Remote Access | Rockwell Automation In-chassis | Schneider Electric In-chassis | Gateways | Industrial Wireless | ProSoft Software

Gateways > EtherNet/IP to Modbus Serial 4 Port



EtherNet/IP to Modbus Serial 4 Port

PLX31-EIP-MBS4

The EtherNet/IP® to Modbus Serial gateway offers bi-directional data transfers between Modbus Serial and the EtherNet/IP network. Our EtherNet/IP Driver uses Class 1 I/O connections and/or Class 3 Message instructions. Protocol conversion gateways are the ideal solution for distributed networks when adding a remote rack becomes too costly.

The PLX31-EIP-MBS4 gateways are stand-alone DIN-rail mounted gateways that provide one Ethernet port for communication, allowing for remote configuration and diagnostics, and up to four (4) serial communication ports. The PLX30 gateways also come with an SD Card slot (SD card optional) for storing configuration files. In the event of a failure the SD card can be transferred to another gateway reducing downtime. These gateways also come with a wide input power range (10 Vdc – 36 Vdc), and an extended temperature range (-25°C to 70°C). The PLX30 gateways include all the necessary cables required for communication.



Architectures | Features and Benefits | Hardware | Downloads | Protocols | Videos | Certifications

Features and Benefits

- 4000 Word database
- Multiple I/O Connections
- Status data
- Node Health
- 10/100 Mb Ethernet port with Auto Cable Crossover Detection
- Data Analyzer for Modbus Serial Network

ETHERNET/IP to MODBUS SERIAL 4 PORT

PLX31-EIP-MBS4

The EtherNet/IP® to Modbus Serial gateway offers bi-directional data transfers between Modbus Serial and the EtherNet/IP network. Our EtherNet/IP Driver uses Class 1 I/O connections and/or Class 3 Message instructions. Protocol conversion gateways are the ideal solution for distributed networks when adding a remote rack becomes too costly.

The PLX31-EIP-MBS4 gateways are stand-alone DIN-rail mounted gateways that provide one Ethernet port for communication, allowing for remote configuration and diagnostics, and up to four (4) serial communication ports. The PLX30 gateways also come with an SD Card slot (SD card optional) for storing configuration files. In the event of a failure the SD card can be transferred to another gateway reducing downtime. These gateways also come with a wide input power range (10 Vdc – 36 Vdc), and an extended temperature range (-25°C to 70°C). The PLX30 gateways include all the necessary cables required for communication.



Architectures | Features and Benefits | Hardware | Downloads | Protocols | Videos | Certifications

Downloads

PLX31-EIP-MBS4 Datasheet	539.58 kB	Last Modified 10/05/2016
PLX30 Gateway Family FAQ	569.86 kB	Last Modified 11/05/2014
PLX3x EDS Files 1.2	45.91 kB	Last Modified 10/12/2015
PLX3x User Manual	4.40 MB	Last Modified 03/15/2017
PLX30 Family CAD Files	67.72 MB	Last Modified 03/09/2017
ProSoft Configuration Builder		

Architectures | Features and Benefits | Hardware | Downloads | Protocols | Videos | Certifications

Videos



SUMMER DAYS 2019

www.prosoft-technology.com/Landing-Pages/Training-Videos



English | Deutsch | Español | 中文 | Français | Русский



PRODUCTS | SERVICES & SUPPORT | NEWS & EVENTS | WHERE TO BUY | ABOUT US

Industrial Automation Training Videos

ProSoft Technology has a number of educational and tutorial videos to help our customers in the setup and configuration of our products. These are all available free of charge on our website and on YouTube, so that you can watch them at your convenience. We are always making more tutorial videos so if you do not see the one you are looking for, give us a call.

Educational Videos

Featured Videos

ControlLogix Videos

CompactLogix Videos

Point I/O Videos

Gateway Videos

Wireless I/O Videos

Cellular Videos

802.11 Wifi Videos

Tech-Tips

Quantum

Educational Videos



SUMMER DAYS 2019

Více než 185 Plug-In řešení pro
Rockwell Automation

English | Deutsch | Espanol | Portugues | 中文 | Français | Русский

ProSoft TECHNOLOGY

PRODUCTS | SERVICES & SUPPORT | NEWS & EVENTS | WHERE TO BUY | ABOUT US

PRODUCTS

Remote Access | **Rockwell Automation In-chassis** | Schneider Electric In-chassis | Gateways | Industrial Wireless | ProSoft S

Rockwell Automation In-chassis

Product Selector

Filter by Platform

Select one.

Filter by Protocol or Function

Select one.

Select one.

- Custom Programmable (9)
- APACS I/O (1)
- ASCII (Ethernet) (3)
- ASCII (Serial) (5)
- BACnet (1)
- BASIC (1)
- Bristol Babcock (1)
- Building Automation Protocols (1)
- C Programmable (1)
- DF1 Master/Slave (4)
- DNP 3.0 Master/Slave (5)
- DNP over Ethernet (4)
- EtherNet/IP (3)
- FA Control Network (2)
- Fisher PROVOX (1)
- GE Ethernet Global Data (2)
- HART Multi-drop (3)
- Honeywell IPC-620 (1)
- IEC 60870-5-101 Master (2)

Need Tech Support?

COMPACTLOGIX

CONTROLLOGIX

FLEX I/O

PLC

POINT I/O

SLC

PRODUCTS

Remote Access | **Rockwell Automation In-chassis** | Schneider Electric In-chassis | Gateways | Industrial Wire

Rockwell Automation In-chassis > PROFIBUS DP-V1 Master Network Interface Module for CompactLogix

Active Mature

PROFIBUS DP-V1 Master Network Interface Module for CompactLogix

MVI69-PDPMV1

Active Mature: Product is fully supported, but a newer product or family exists. For new applications use the [ILX69-PRM](#)

The PROFIBUS DPV1 Master module is a powerful communication interface for Rockwell Automation® CompactLogix / MicroLogix® processors. Developed under license from Rockwell Automation, the module incorporates proprietary backplane technology that enables powerful data exchange with CompactLogix / MicroLogix processors.

The module supports complete Master specifications according to IEC 61158. Acyclic parameter data can be transferred with Class 1 or Class 2 DPV1 services, allowing processors to easily communicate with slave devices supporting PROFIBUS DPV0/V1 protocol.

The module acts as an input/output module between the PROFIBUS network and the CompactLogix / MicroLogix processor. Data transfer from the processor is asynchronous with the I/O data transfer on the PROFIBUS network.

Architectures | Features and Benefits | Applications | Hardware | Downloads | Videos | Certifications

Architectures

Click on image(s) to enlarge



ICX35-HWC *4G LTE Industrial Cellular Gateway*

- ❖ **4G/LTE technologie** (GSM, GPRS, EDGE)
- ❖ **Ethernetová a Sériová komunikace**
- ❖ **Možnost zasílání SMS zpráv**
- ❖ **Integrovaná podpora pro OpenVPN a IPSec**
- ❖ **ProSoft Connect**

Srovnání VPN



- ❖ **Vysoce bezpečný.**
- ❖ Vysoce konfigurovatelný.
- ❖ Kompatibilní s různými šifrovacími algoritmy.
- ❖ Schopnost obejít většinu firewallů.
- ❖ **Složitější nastavení.**
- ❖ Vyžaduje software třetích stran.
- ❖ Podpora pro stolní počítače je skvělá, avšak zaostává na mobilních zařízeních.

IPSEC

- ❖ **Snadné nastavení.**
- ❖ Typicky považováno za bezpečné.
- ❖ K dispozici na všech moderních přístrojích a operačních systémech.
- ❖ **Pomalejší než OpenVPN.**
- ❖ Může být problematické, pokud jsou použity s omezujícími firewally.
- ❖ **Je pravděpodobné, že NSA záměrně oslabila protokol.**

Zdroj: <http://cs.vpnmentor.com>

SUMMER DAYS 2019

VPN and Remote Access >> LAN to LAN

Profile Index : 1

1. Common Settings

Enable this profile

Profile Name: wan-2

Call Direction: Both Dial-Out Dial-In

Always on

Idle Timeout: 300 second(s)

Enable PING to keep alive

PING to the IP: []

VPN Connection Through: WAN2 Only

Netbios Naming Packet: Pass Block

Multicast via VPN: Pass Block
(for some IGMP, IP-Camera, DHCP Relay..etc.)

64k bps

???

PAP/CHAP

On Off

4. GRE over IPsec Settings

Enable IPsec Dial-Out function GRE over IPsec

Logical Traffic

My GRE IP: 192.168.5.1

Peer GRE IP: 192.168.6.1

5. TCP/IP Network Settings

My WAN IP: 0.0.0.0

Remote Gateway IP: 0.0.0.0

Remote Network IP: 172.17.1.0

Remote Network Mask: 255.255.255.0

RIP Direction: Disable

From first subnet to remote network, you have to do

Route

2. Dial-Out Settings

Type of Server I am calling

ISDN

PPTP

IPsec Tunnel

L2TP with IPsec Policy

Dial Number for ISDN or Server IP/Host Name for VPN. (such as 5551234, draytek.com)

4. GRE over IPsec Settings

Enable IPsec Dial-Out function GRE over IPsec

Logical Traffic

My GRE IP: 192.168.5.1

Peer GRE IP: 192.168.5.2

5. TCP/IP Network Settings

My WAN IP: 0.0.0.0

Remote Gateway IP: 0.0.0.0

Remote Network IP: 10.1.1.0

Remote Network Mask: 255.255.255.0

RIP Direction: Disable

From first subnet to remote network, you have to do

Route

Change default route to this VPN tunnel (Only single WAN supports this)

General Setup

Status: Enable Disable

172.17.1.0

172.17.1.0

edit Delete

IPsec Security Method

Medium(AH)

High(ESP) DES without Authentication

Advanced

Machine to Machine M2M

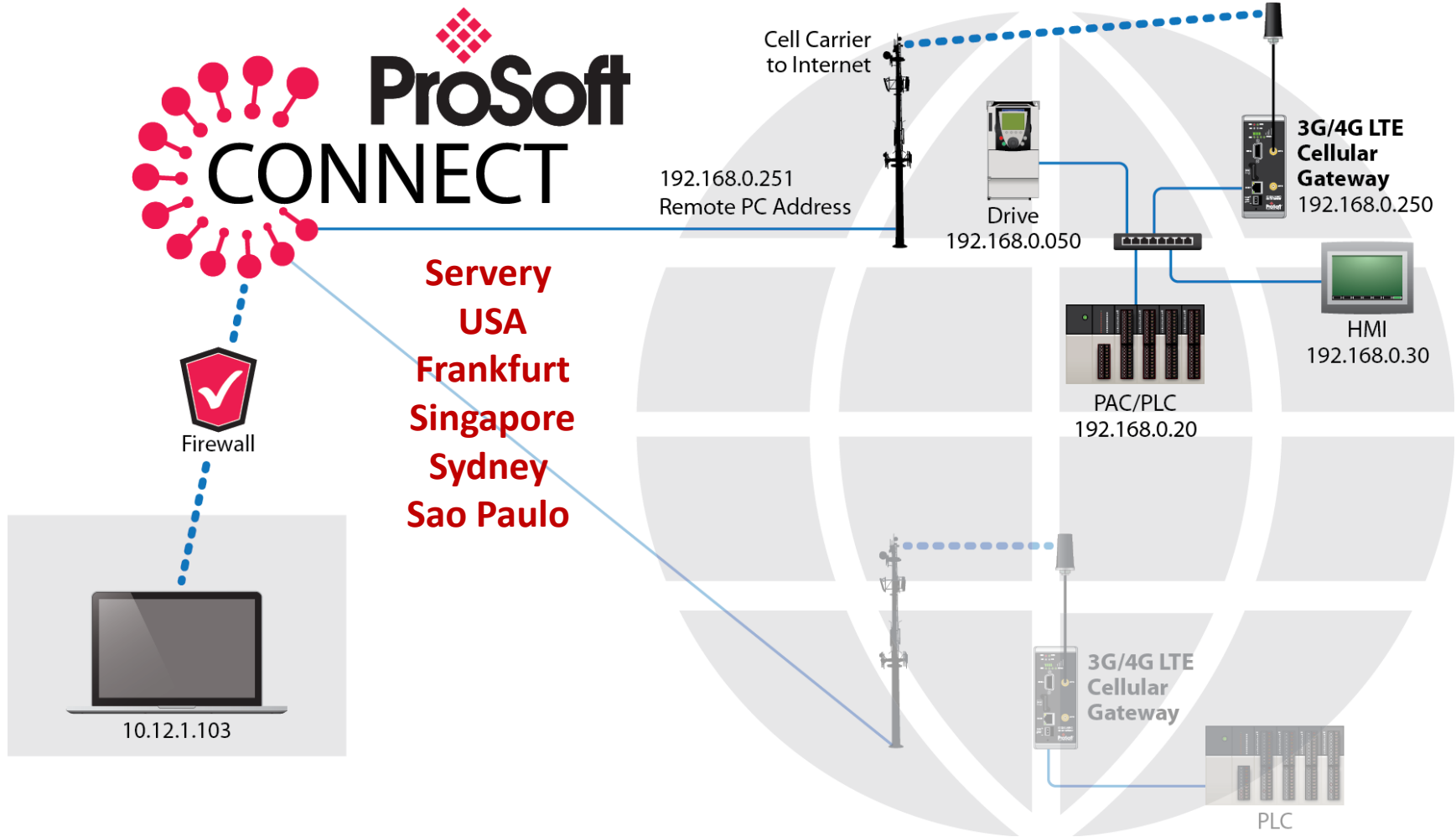
- ❖ M2M je obousměrný bezdrátový přenos dat mezi zařízeními, řídicími systémy a aplikacemi, ke kterým mají přístup oprávnění koncoví uživatelé.
- ❖ Řídicí systémy a aplikace komunikují se zařízeními zcela automaticky podle určených pravidel.



· · T · · Mobile ·



SUMMER DAYS 2019



SUMMER DAYS 2019

Bezpečná, Cloud-Native Platforma pro IIoT



Vysoká spolehlivost



Přístup kamkoliv



Žádný PC Software



Jednoduché použití



Bezpečné

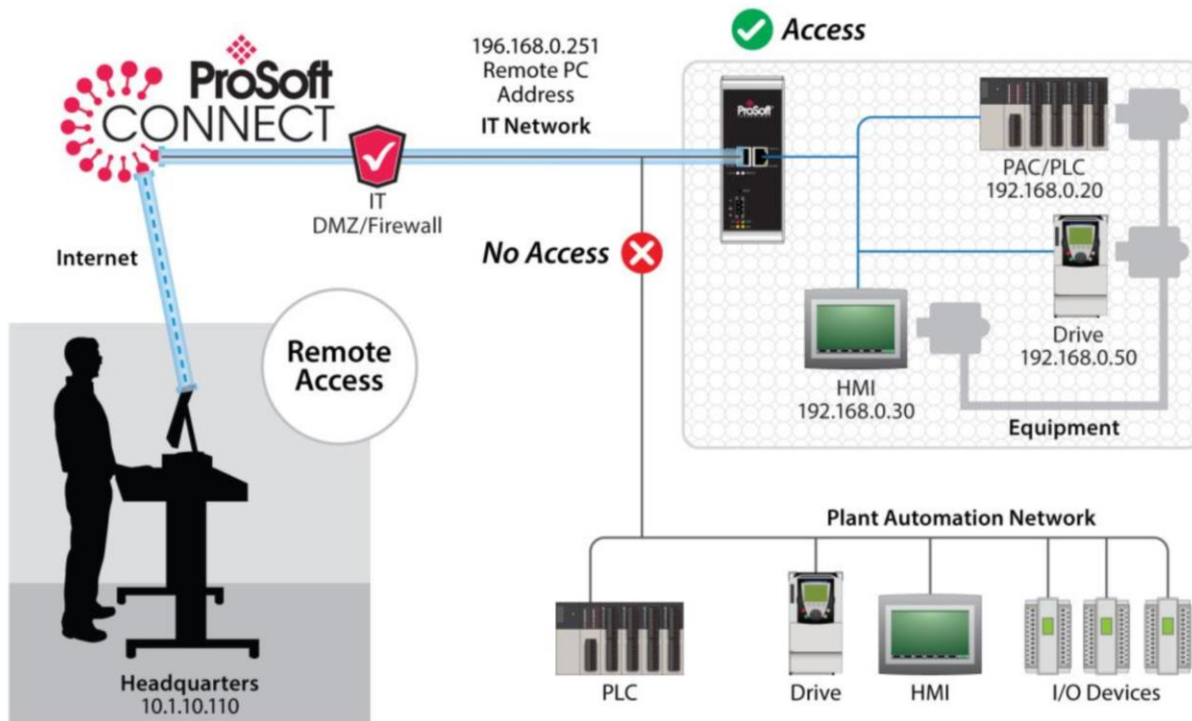
- ❖ BEZ NUTNOSTI POŘÍZENÍ STATICKÉ, VEŘEJNÉ IP ADRESY.
- ❖ KONFIGURACE GSM ROUTERU ULOŽENA NA CLOUDU.
- ❖ CENA PROSOFT CONNECT SECURE REMOTE ACCESS?

ZDARMA

• **ControlTech**
Industrial Automation

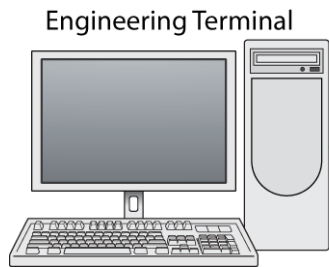
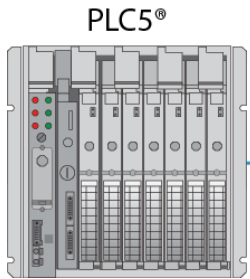
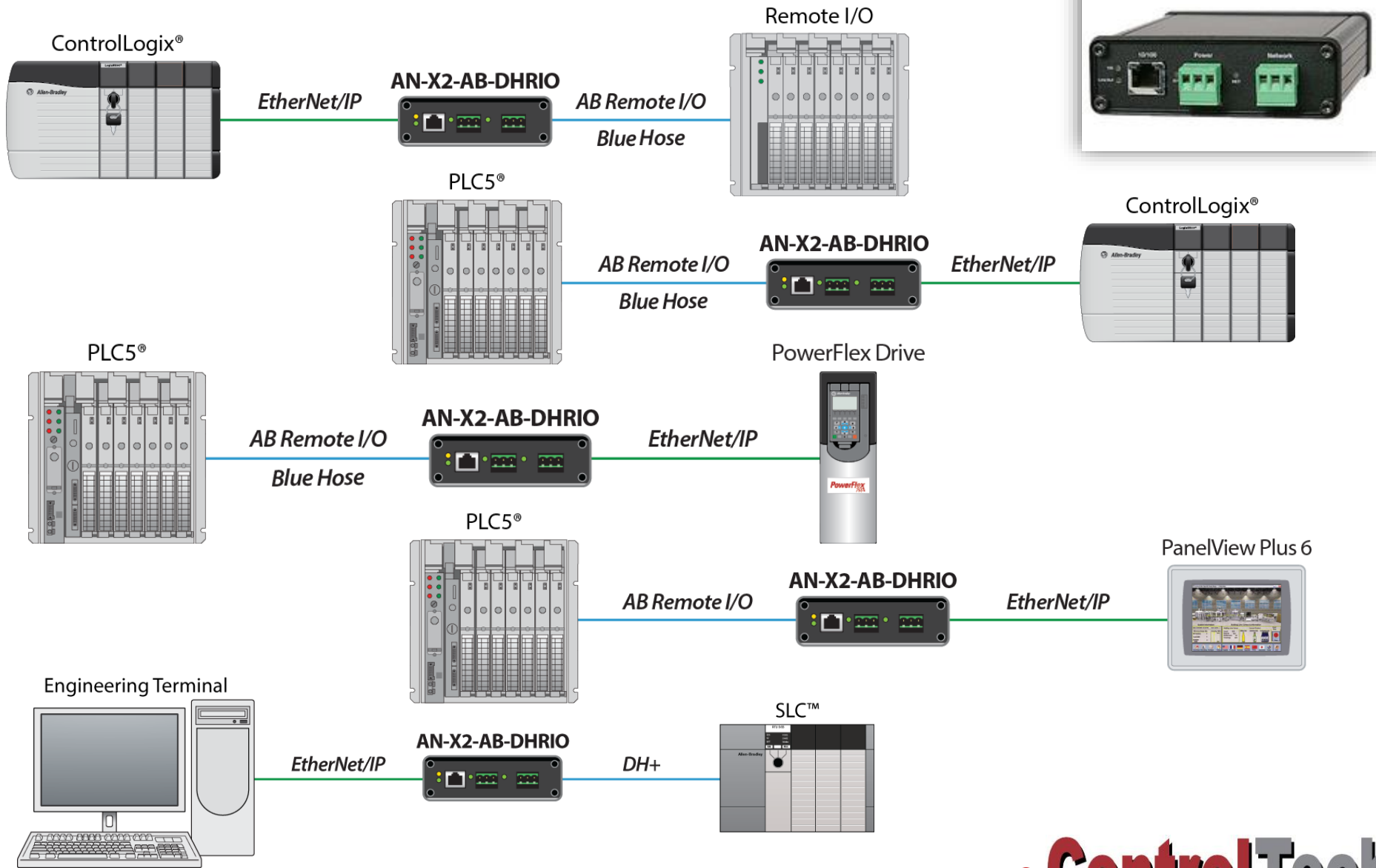
SUMMER DAYS 2019

Network Bridge PLX35-NB2



AN-X2-AB-DHRIO

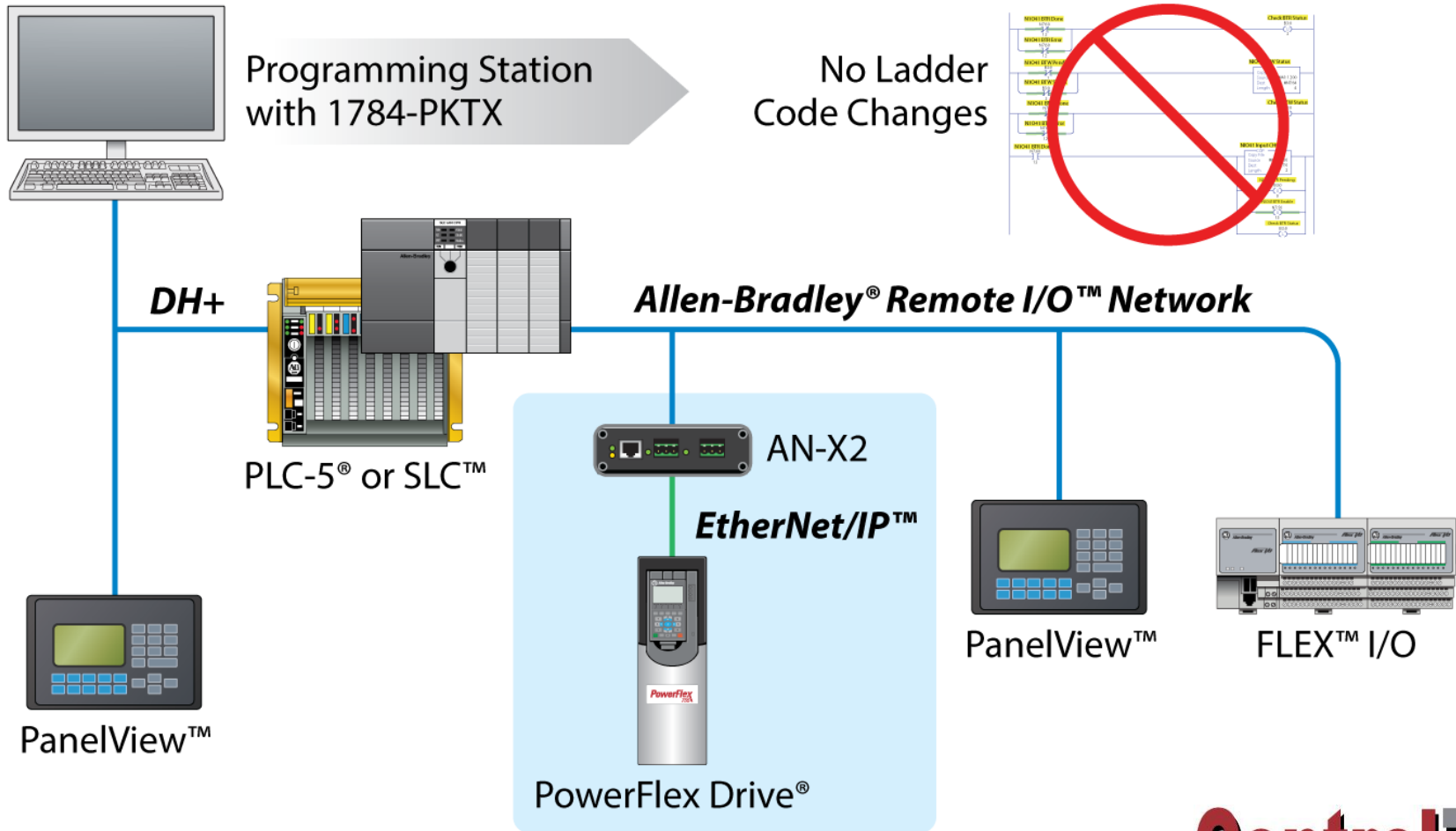
s DH+ firmwarem



ŘEŠENÍ SYSTÉMOVÉ MIGRACE

Potřebujete nahradit Frequency Drives?

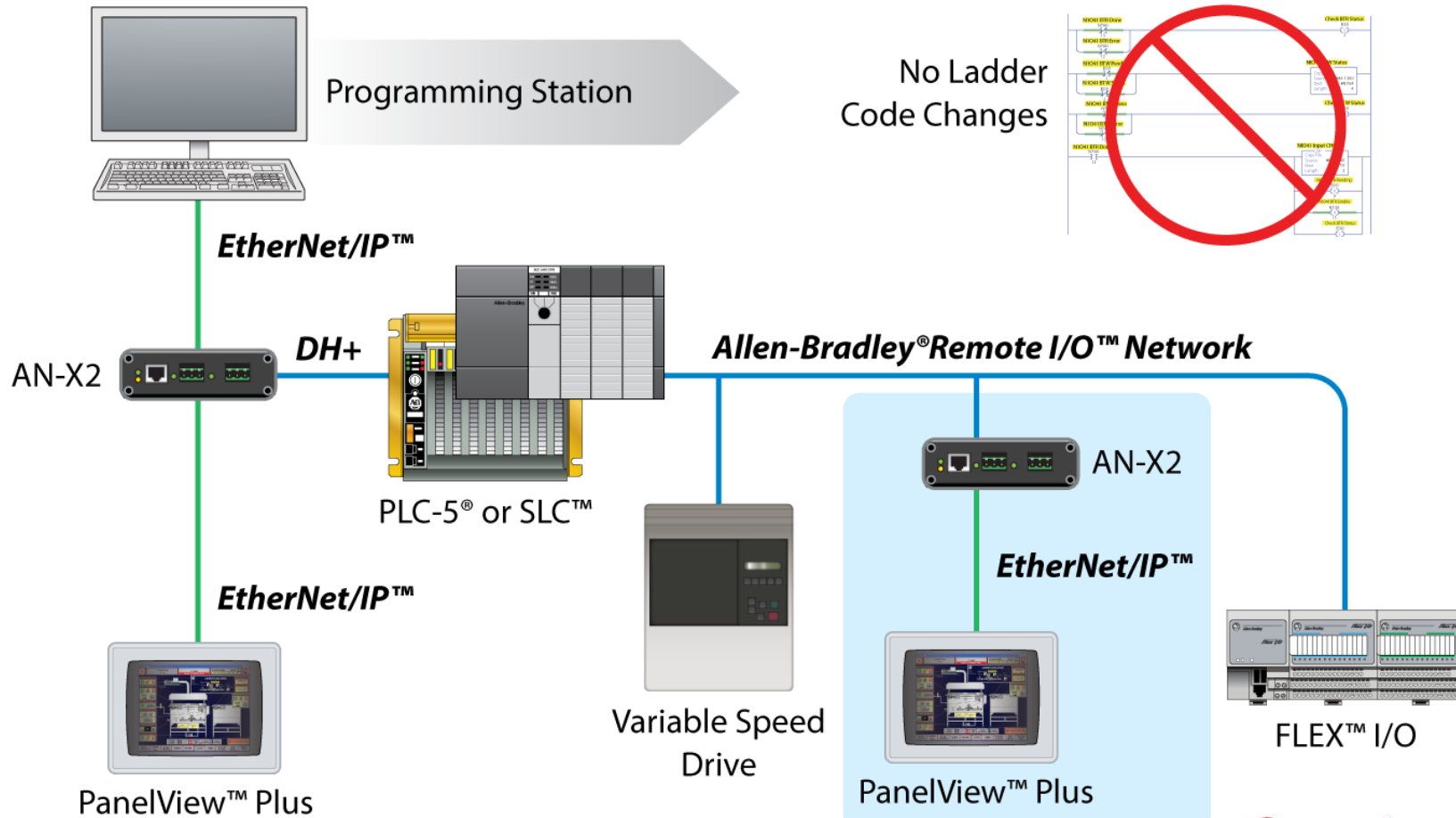
AN-X2-AB-DHRIO – až 4 pohony.



ŘEŠENÍ SYSTÉMOVÉ MIGRACE

Jsou vaše PanelView™ Terminály připravené pro upgrade?

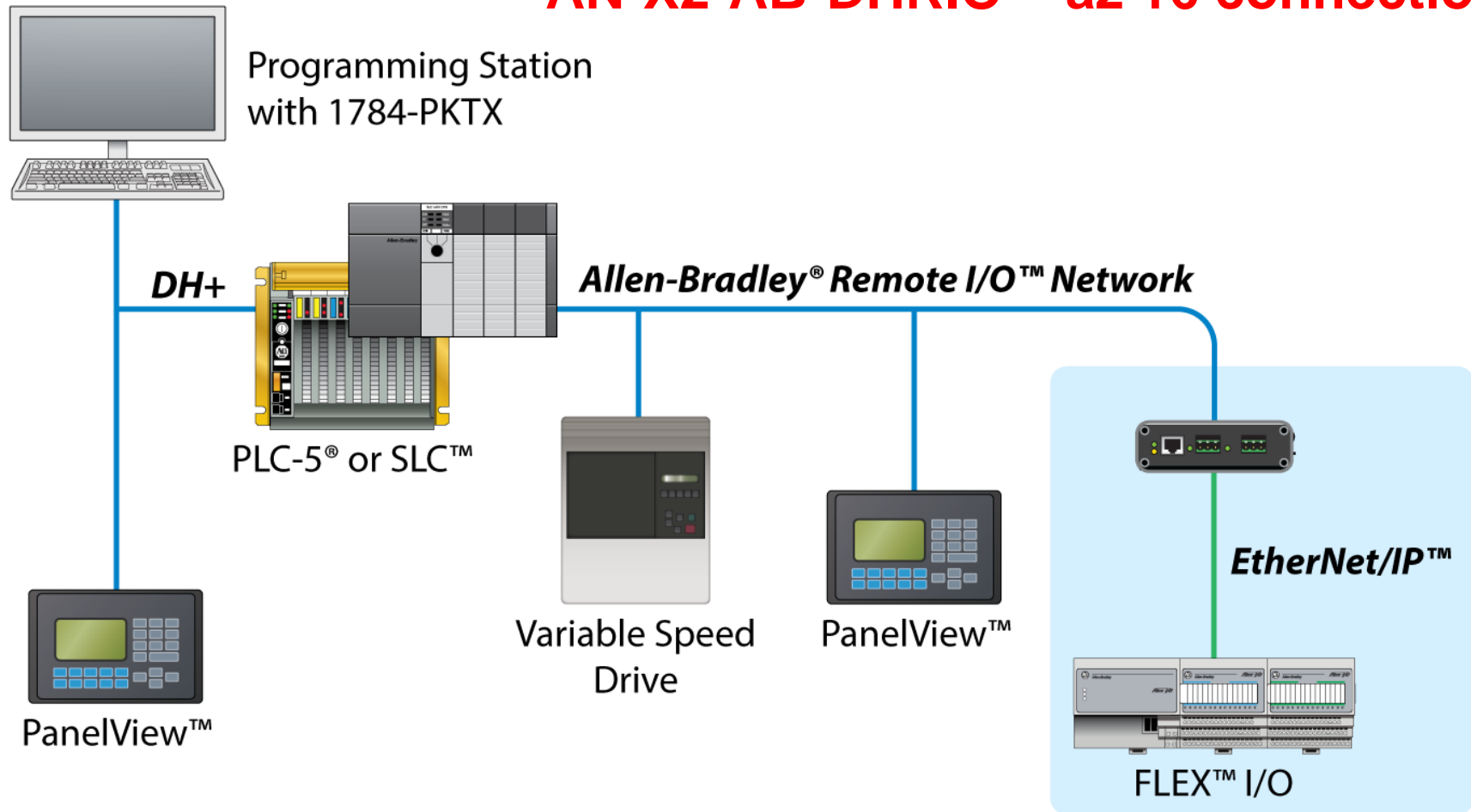
AN-X2-AB-DHRIO - až 8 PanelView terminálů.



ŘEŠENÍ SYSTÉMOVÉ MIGRACE

Dochází vám náhradní FLEX™ I/O Adapters?

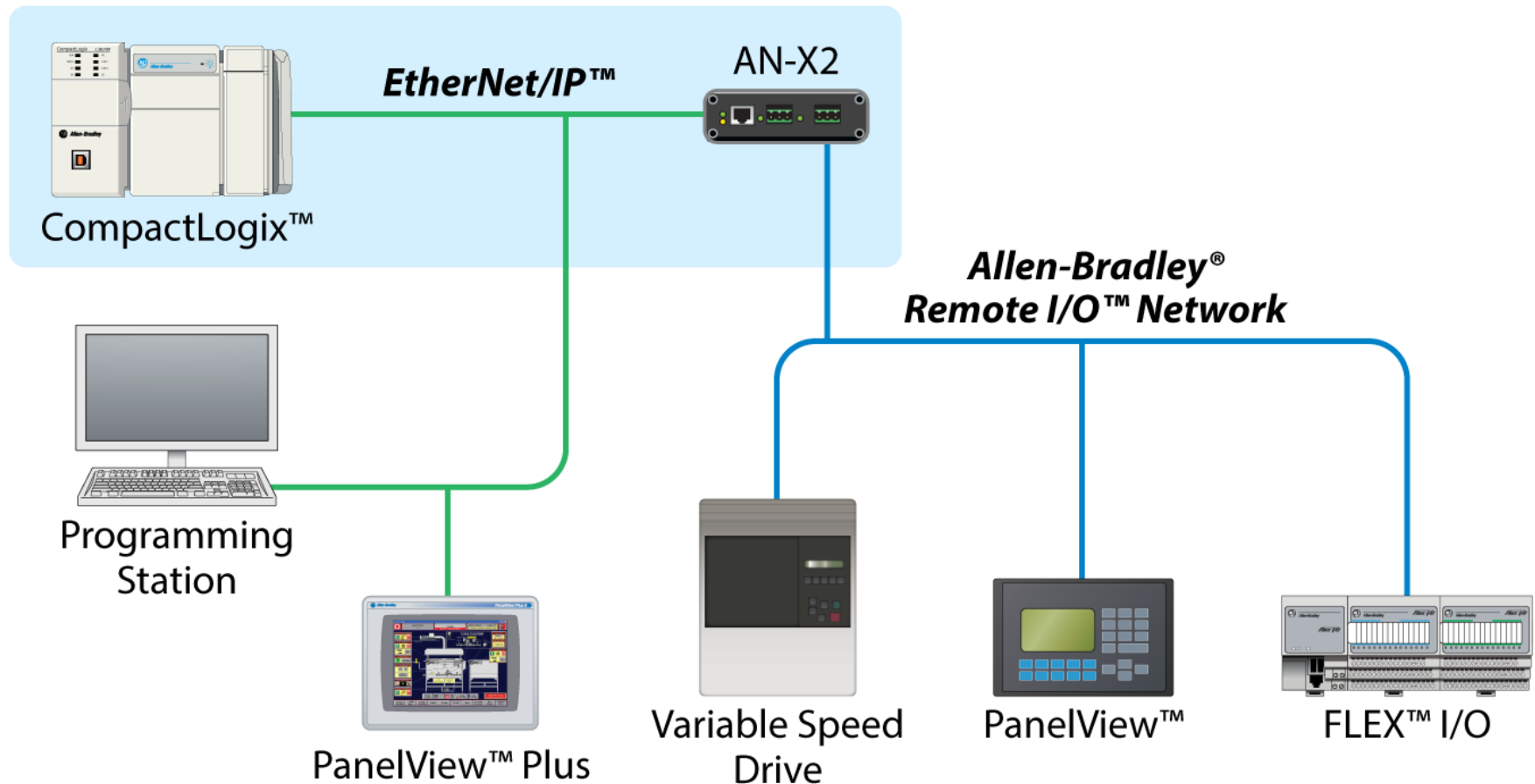
AN-X2-AB-DHRIO – až 16 connections.



ŘEŠENÍ SYSTÉMOVÉ MIGRACE

Chcete upgradovat PLC-5[®] nebo SLC[™] na CompactLogix[™]?

AN-X2-AB-DHRIO – až 32 racků I/O.



SUMMER DAYS 2018

PRŮMYSLOVÁ WiFi

802.11n (abgn) Fast Industrial Hotspots

802.11n (abgn) Fast Watertight Industrial Hotspots

802.11g and 802.11a High-Power Industrial Hotspots



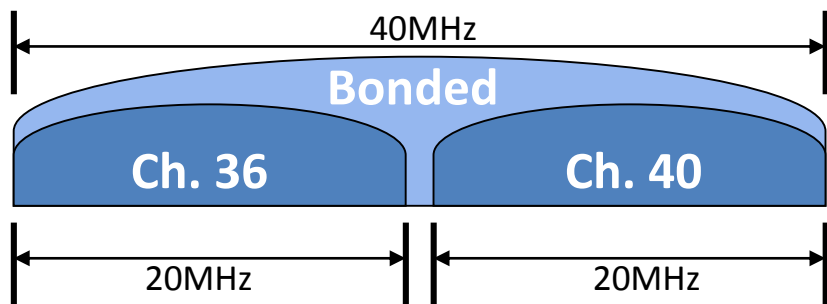
TRENDY V BEZDRÁTOVÉ PRŮMYSLOVÉ KOMUNIKACI

802.11abgn Fast Industrial Hotspot

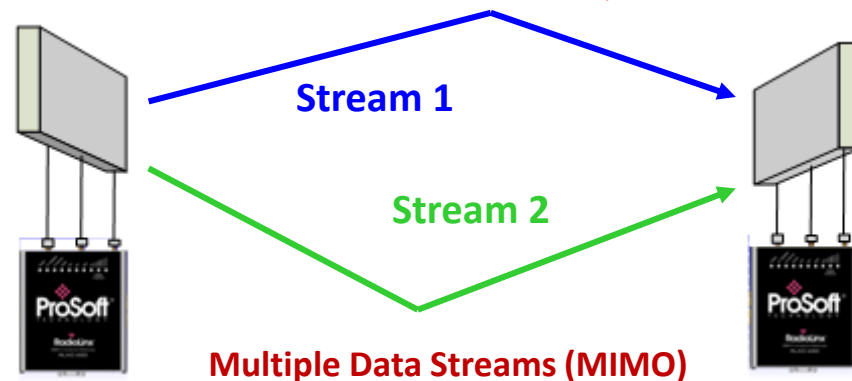
- ❖ **Vysokorychlostní technologie 802.11n**
 - ❖ Channel Bonding & MIMO Antenna (2 streams)
 - ❖ Až 300 Mbps RF data rate
 - ❖ 2.4 GHz nebo 5 GHz pásmo – včetně DFS kanálů
- ❖ **Optimalizováno pro Ethernet IO & Producer/Consumer systems**
 - ❖ Až 4,000 paketů/sec – velmi rychlé obnovovací frekvence
 - ❖ IGMP snooping / filtrování paketů



NEW

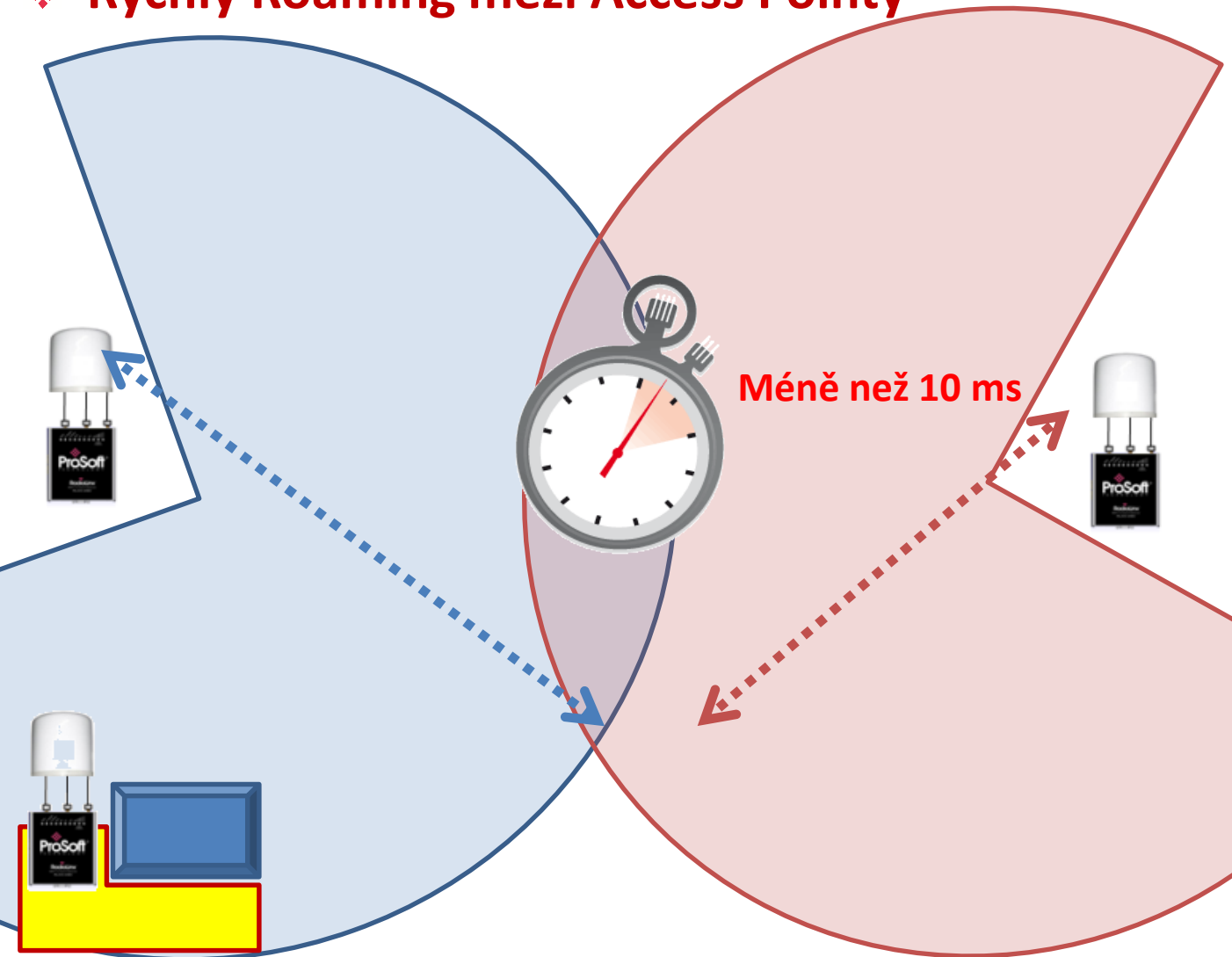


Multiple Channels (Bonding)



TRENDY V BEZDRÁTOVÉ PRŮMYSLOVÉ KOMUNIKACI

❖ Rychlý Roaming mezi Access Pointy



jeřáby



automobilky

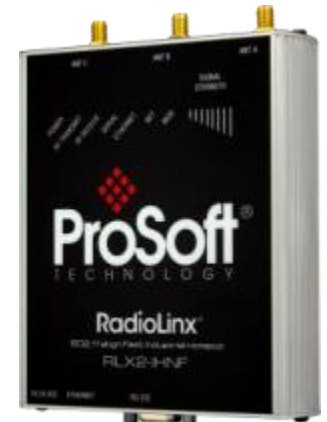


automatické vozíky

TRENDY V BEZDRÁTOVÉ PRŮMYSLOVÉ KOMUNIKACI

Navrženo do extrémních podmínek

- ❖ **Rozšířené provozní teploty**
 - ❖ Od - 40°C do + 75°C
- ❖ **Vysoká odolnost vůči nárazům a vibracím**
- ❖ **Certifikováno do nebezpečného prostředí**
 - ❖ Class 1, Division 2
 - ❖ ATEX Zone 2
- ❖ **Možnosti průmyslového napájení**
 - ❖ 12/24 VDC
 - ❖ Power over Ethernet (PoE)





Where

Automation

Connects

Point-to-Point Wireless I/O

ProSoft[®]
TECHNOLOGY



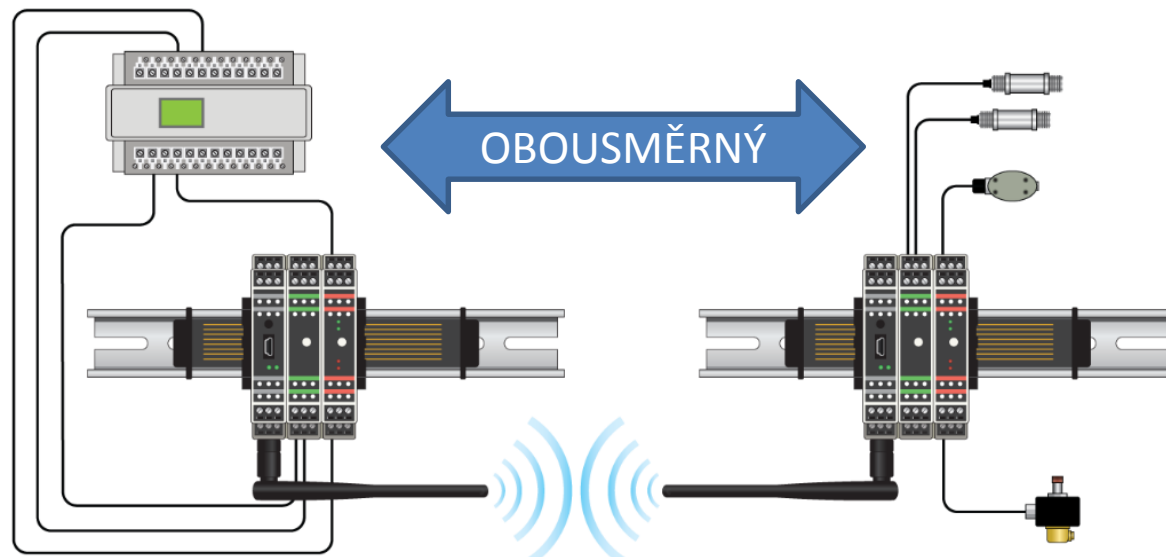
Bezdrátový přenos I/O – ideální řešení pro point-to-point aplikace. Snadné a jednoduché nasazení, které šetří čas, práci, náklady i zbytečné papírování a jednání s úřady.

ControlTech
Industrial Automation

PROSOFT TECHNOLOGY - WIRELESS I/O

PRO JAKÉ ÚČELY:

- Nahrazuje tradiční kabelové I/O řešení
- Určený pro monitorování a jednoduché řízení – není určeno pro vysokorychlostní I/O
- Není určené pro nezasíťované I/O, vyžadující I/O interface v PLC, RTU apod.



Radiomodul

- ❖ 868 MHz - BM-0868-RM1K
- ❖ 2.4 GHz - BM-2400-RM1K

Dosah

- ❖ v závislosti na okolních podmínkách až 5 km
- ❖ v interiéru až 90 m



TRENDY V BEZDRÁTOVÉ PRŮMYSLOVÉ KOMUNIKACI

I/O Moduly

- ❖ 3-30 VDC Digitální
- ❖ 4 In / 4 Out

- ❖ 4-20mA Analogové
- ❖ 2 In / 2 Out

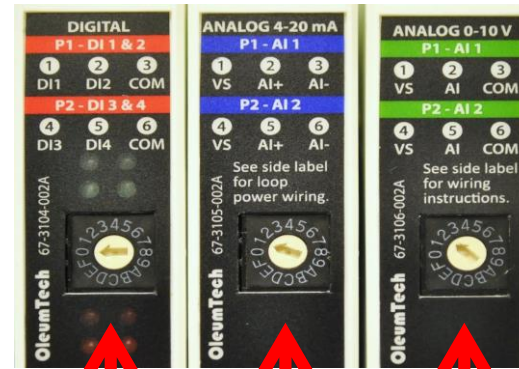
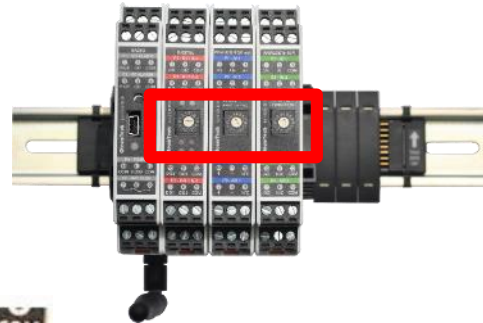
- ❖ 0-10 V Analogové
- ❖ 2 In / 2 Out



Všechny I/O Moduly poskytují izolaci 2500 V r.m.s.

TRENDY V BEZDRÁTOVÉ PRŮMYSLOVÉ KOMUNIKACI

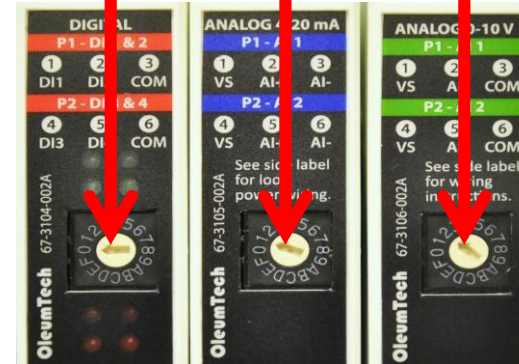
Nastavení Switchů



0

1

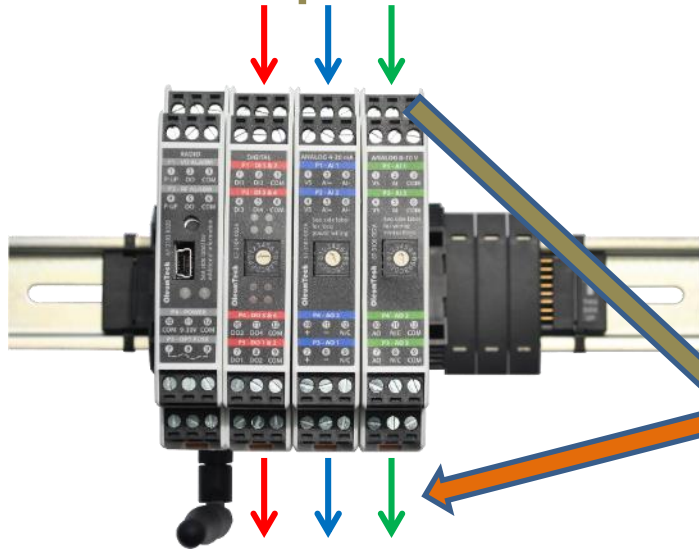
2



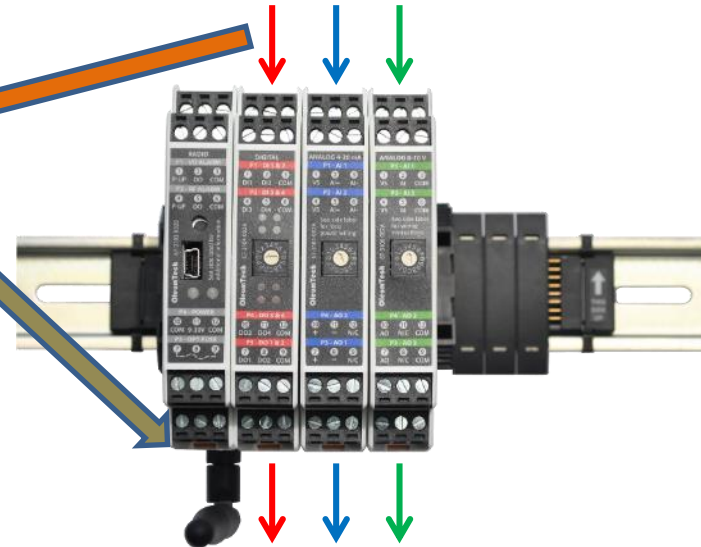
TRENDY V BEZDRÁTOVÉ PRŮMYSLOVÉ KOMUNIKACI

Vstupy a výstupy v každém modulu

PLC output modules to
Inputs



Input devices / Transmitters

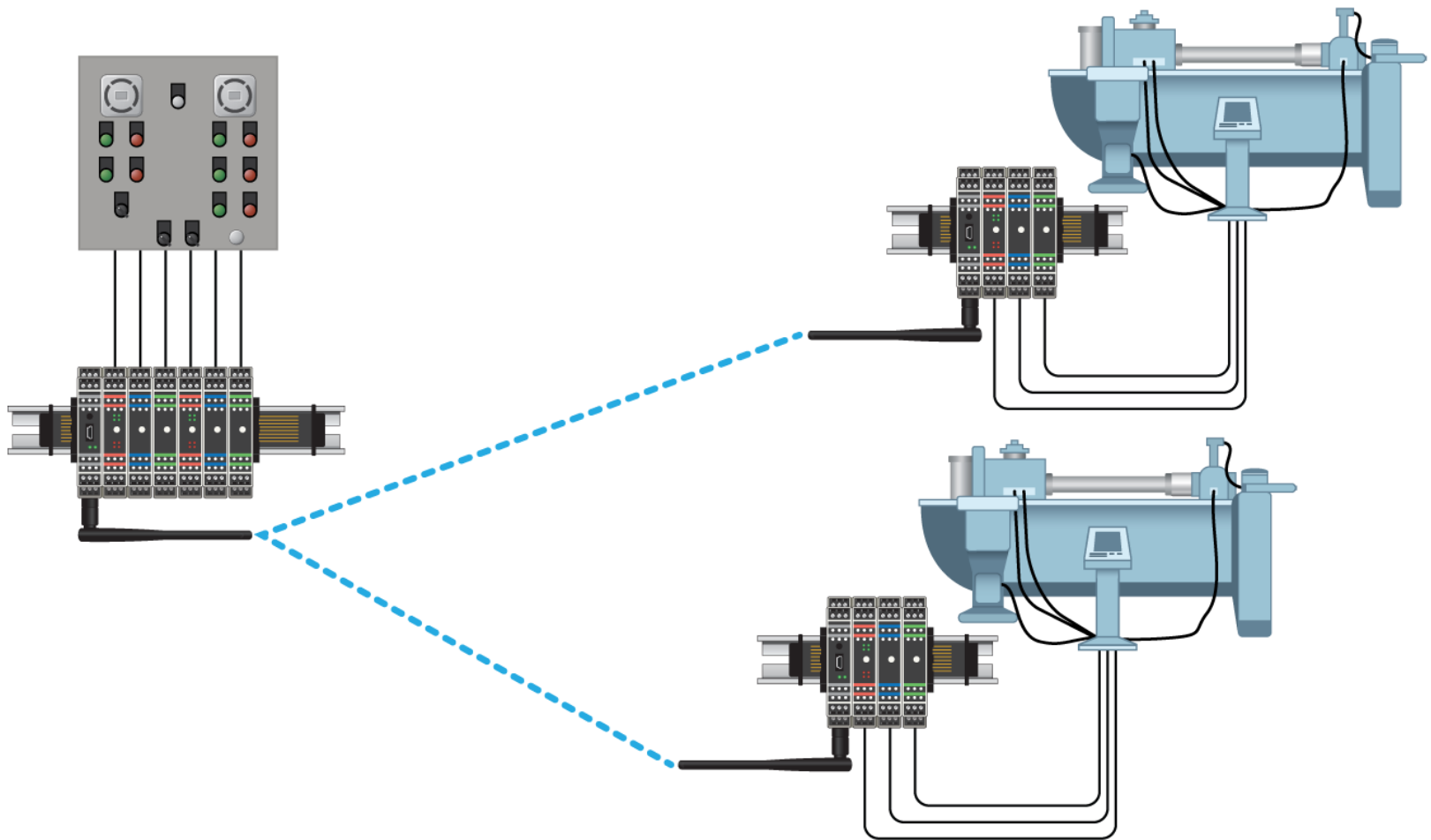


Outputs to PLC input modules

Output devices / Valves

TRENDY V BEZDRÁTOVÉ PRŮMYSLOVÉ KOMUNIKACI

Multi-Point Wireless I/O Radio Kit



TRENDY V BEZDRÁTOVÉ PRŮMYSLOVÉ KOMUNIKACI

Multi-Point Wireless I/O Radio Kit

